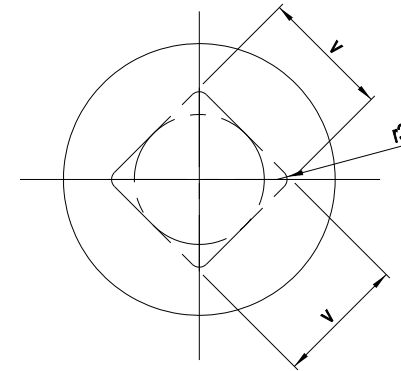
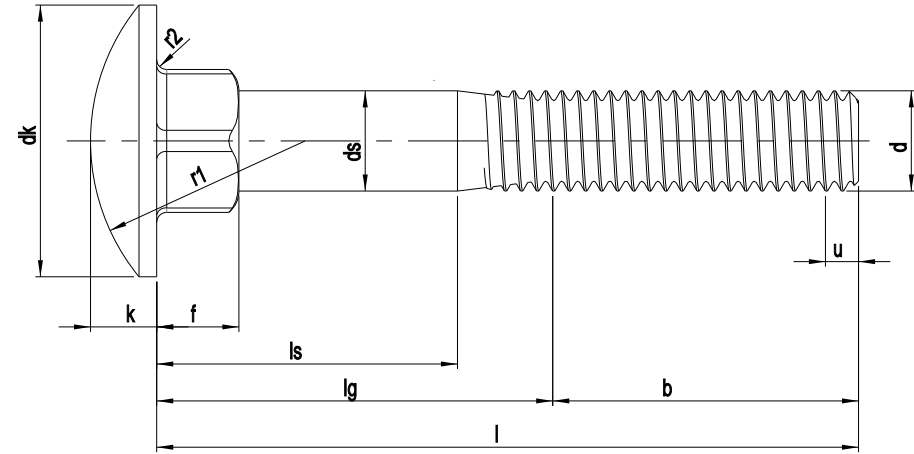



Further Information

Diameter (d)	Pitch	dk	k	v	f	b	b (L over 125)	b (L over 200)
M5	0.80	13.55-12	3.30-2.7	5.48-4.5	4.10-2.9	16	22	*
		.45	0	2	0			
M6	1.00	16.55-15	3.88-3.1	6.48-5.5	4.60-3.4	18	24	*
		.45	2	2	0			
M8	1.25	20.65-19	4.88-4.1	8.58-7.4	5.60-4.4	22	28	41
		.35	2	2	0			
M10	1.50	24.65-23	5.38-4.6	10.58-9	6.60-5.4	26	32	45
		.35	2	42	0			
M12	1.75	30.65-29	6.95-6.0	12.70-11	8.75-7.2	30	36	49
		.35	5	.30	5			
M16	2.00	38.80-37	8.95-8.0	16.70-15	12.90-11	38	44	57
		.20	5	.30	.10			



 PRECISION TECHNOLOGY SUPPLIES Stainless Steel Industrial Fastenings & Precision Turned Parts	Part No. A60306080
	www.pts-uk.com +44 (0)1342 410758
Information in this drawing is provided for reference only	