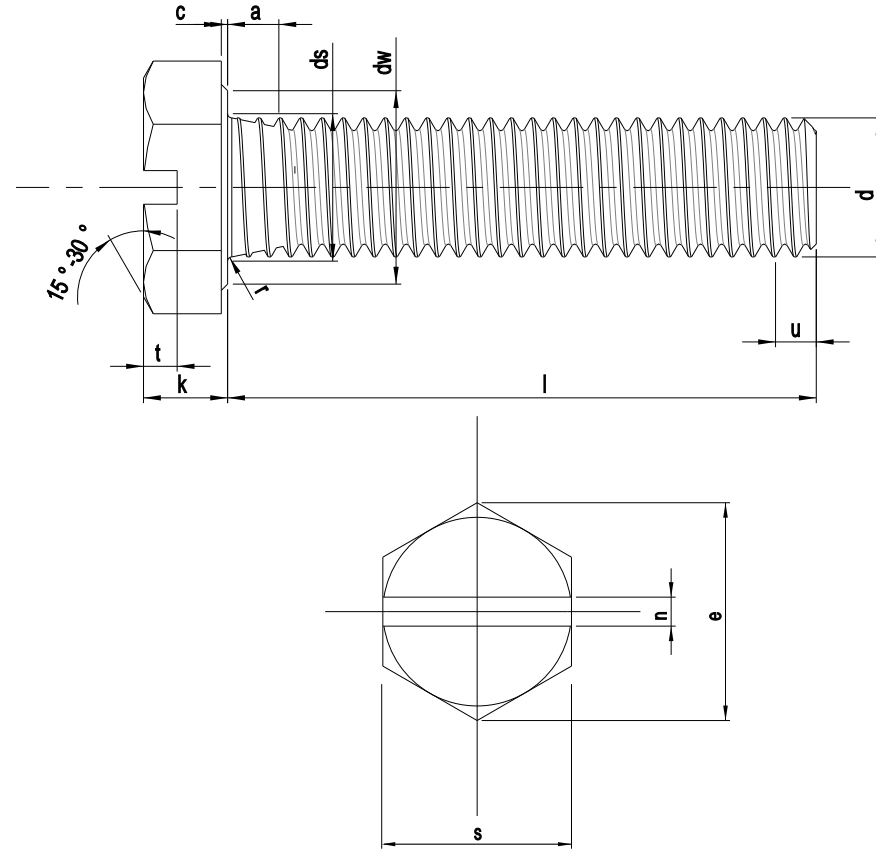



Further Information

| Diameter (d) | Pitch | s | k | n (min) | t (min) |
|--------------|-------|-------------|-----------|---------|---------|
| M3 | 0.50 | 5.50-5.32 | 2.12-1.88 | 0.80 | 1.00 |
| M4 | 0.70 | 7.00-6.64 | 3.00-2.60 | 1.06 | 1.12 |
| M5 | 0.80 | 8.00-7.64 | 3.74-3.26 | 1.28 | 1.40 |
| M6 | 1.00 | 10.00-9.64 | 4.24-3.76 | 1.66 | 1.60 |
| M8 | 1.25 | 13.00-12.57 | 5.54-5.06 | 2.06 | 2.12 |
| M10 | 1.50 | 17.00-16.57 | 6.69-6.11 | 2.50 | 2.50 |



| | |
|---|--|
|  | Part No. A933S10050 |
| <p>www.pts-uk.com +44 (0)1342 410758</p> | <p>M10 X 50 SLOTTED HEXAGON HEAD SET SCREW DIN 933SZ A2-70 STAINLESS STEEL</p> |
| <p>Information in this drawing is provided for reference only</p> | |