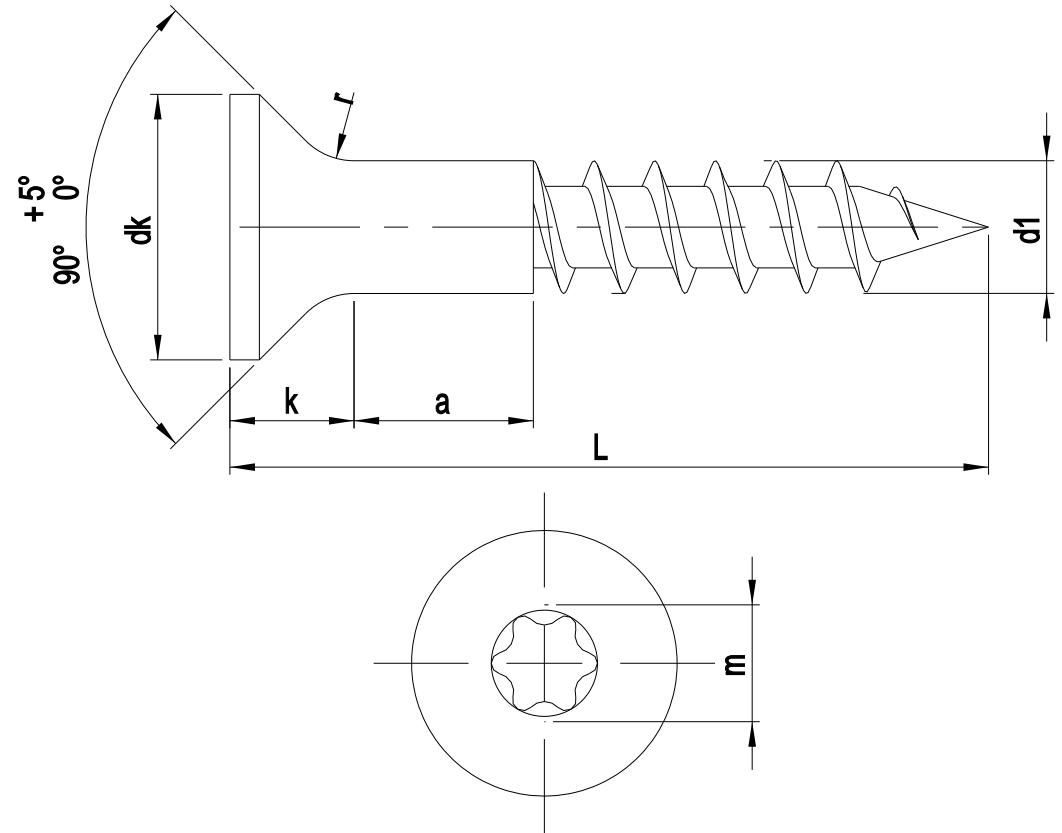



### Further Information

| Size      | dk          | k (nom) | b                   | Drive |
|-----------|-------------|---------|---------------------|-------|
| 3.0 (#4)  | 6.00-5.70   | 1.80    | 0.6 X L, max=24     | T10   |
| 3.5 (#6)  | 7.00-6.64   | 2.00    | 0.6 X L, max=30     | T10   |
| 4.0 (#8)  | 8.00-7.64   | 2.35    | 0.6 X L, max=42     | T20   |
| 4.5 (#9)  | 9.00-8.64   | 2.55    | 0.6 X L, max=60     | T20   |
| 5.0 (#10) | 10.00-9.64  | 2.85    | 0.6 X L, max=70     | T25   |
| 6.0 (#14) | 12.00-11.57 | 3.35    | 0.6 X L, max=70     | T25   |
| 8.0 (#16) | x           | x       | 0.6 X L, max=80     | T40   |
| 10 (#20)  | x           | x       | 0.6 X L,<br>max=105 | T40   |



|   |   |
|---|---|
|  <b>PRECISION TECHNOLOGY SUPPLIES</b><br><small>Stainless Steel Industrial Fastenings &amp; Precision Turned Parts</small> | <b>Part No.</b><br><b>ACHIPTC05045A4</b>                                      |
| <a href="http://www.pts-uk.com">www.pts-uk.com</a><br>+44 (0)1342 410758  | <b>5.0 X 45 TX25 COUNTERSUNK<br/> CHIPBOARD SCREW A4<br/> STAINLESS STEEL</b> |
| Information in this drawing is provided for reference only  |   |