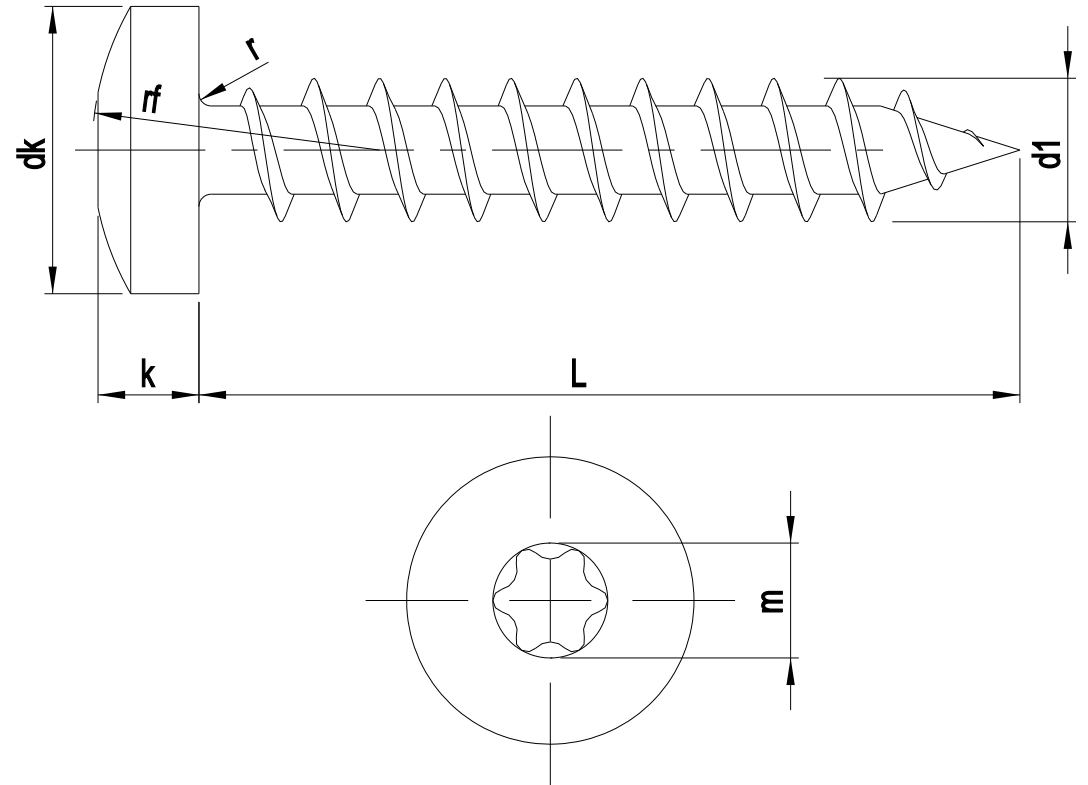



Further Information

Size	dk	k	Drive
3.0 (#4)	6.00-5.52	2.37-2.13	T10
3.5 (#6)	7.00-6.42	2.72-2.48	T10
4.0 (#8)	8.00-7.42	2.92-2.68	T20
4.5 (#9)	9.00-8.42	3.15-2.85	T20
5.0 (#10)	10.00-9.42	3.65-3.35	T25
6.0 (#14)	12.00-11.30	4.25-3.95	T25



 PRECISION TECHNOLOGY SUPPLIES <small>Stainless Steel Industrial Fastenings & Precision Turned Parts</small>	Part No. ACHIPTP0454545
www.pts-uk.com +44 (0)1342 410758	4.5 X 45/45 TX20 PAN FULL THREAD CHIPBOARD SCREW A2 STAINLESS STEEL
Information in this drawing is provided for reference only	