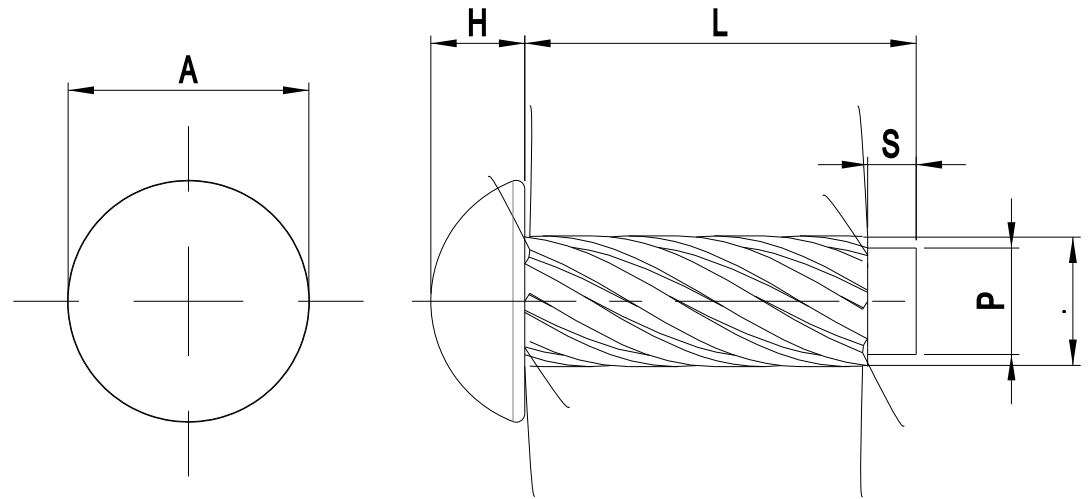



Further Information

Diameter	d	a	h (max)	p (max)	Rec. Hole Size
No.00 (0.060)	0.060-0.057	0.099-0.090	0.034	0.049	0.052
No.0 (0.075)	0.075-0.072	0.127-0.118	0.049	0.063	0.067
No.2 (0.100)	0.100-0.097	0.162-0.146	0.069	0.083	0.086
No.4 (0.116)	0.116-0.112	0.211-0.193	0.086	0.096	0.104
No.6 (0.140)	0.140-0.136	0.260-0.240	0.103	0.116	0.120
No.8 (0.167)	0.167-0.162	0.309-0.287	0.120	0.136	0.144
No.10 (0.182)	0.182-0.177	0.359-0.334	0.137	0.150	0.161
No.12 (0.212)	0.212-0.208	0.408-0.382	0.153	0.177	0.191
No.14 (0.242)	0.242-0.236	0.457-0.429	0.170	0.202	0.221



 PRECISION TECHNOLOGY SUPPLIES <small>Stainless Steel Industrial Fastenings & Precision Turned Parts</small>	Part No. AHD00312
www.pts-uk.com +44 (0)1342 410758	NO.0 X 5/16 ROUND HEAD HAMMER DRIVE TYPE-U ASME B18.6.3 A2 STAINLESS STEEL
Information in this drawing is provided for reference only	