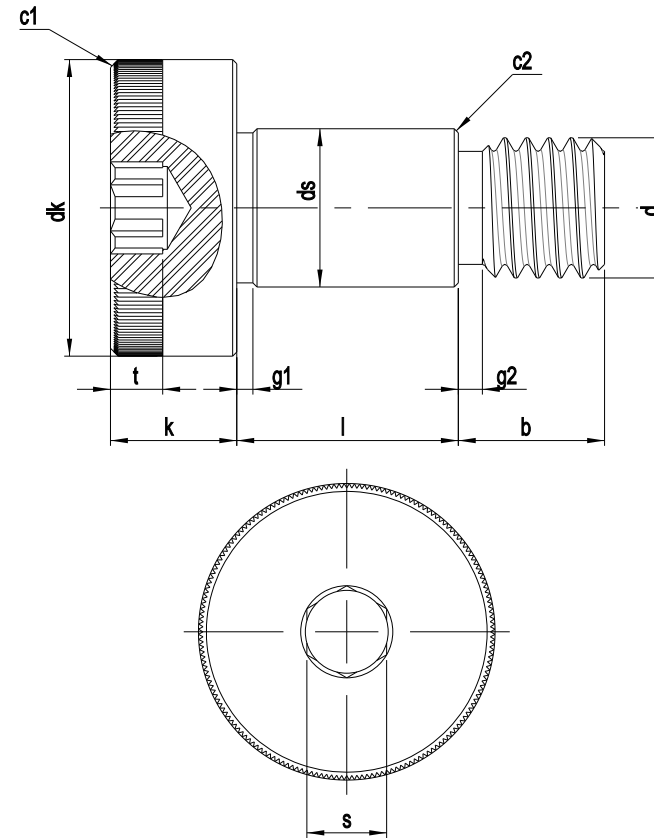



## Further Information

| ds (nom) | ds            | d   | s    | dk  | k   | b   |
|----------|---------------|-----|------|-----|-----|-----|
| 3.0      | 2.990-2.960   | M2  | 2.0  | 5.0 | 2.0 | 3.8 |
| 4.0      | 3.990-3.960   | M3  | 2.0  | 6.0 | 3.0 | 4.5 |
| 5.0      | 4.990-4.960   | M4  | 2.5  | 9.0 | 4.0 | 4.5 |
| 6.0      | 5.990-5.960   | M5  | 3.0  | 10  | 4.5 | 9.5 |
| 8.0      | 7.987-7.951   | M6  | 4.0  | 13  | 5.5 | 11  |
| 10       | 9.987-9.951   | M8  | 5.0  | 16  | 7.0 | 13  |
| 12       | 11.984-11.941 | M10 | 6.0  | 18  | 9.0 | 16  |
| 16       | 15.984-15.941 | M12 | 8.0  | 24  | 11  | 18  |
| 20       | 19.980-19.928 | M16 | 10.0 | 30  | 14  | 22  |



|  |   |
|--|---|
|  <p><b>PRECISION TECHNOLOGY SUPPLIES</b><br/>Stainless Steel Industrial Fastenings &amp; Precision Turned Parts</p> | <p>Part No. <b>ASS121020KA4</b></p>   |
| <p>www.pts-uk.com<br/>+44 (0)1342 410758</p>   | <p>12 (M10) X 20 KNURLED HEAD<br/>SOCKET SHOULDER SCREW A4<br/>(316L) STAINLESS STEEL</p> |
| <p>Information in this drawing is provided for reference only</p>  |   |