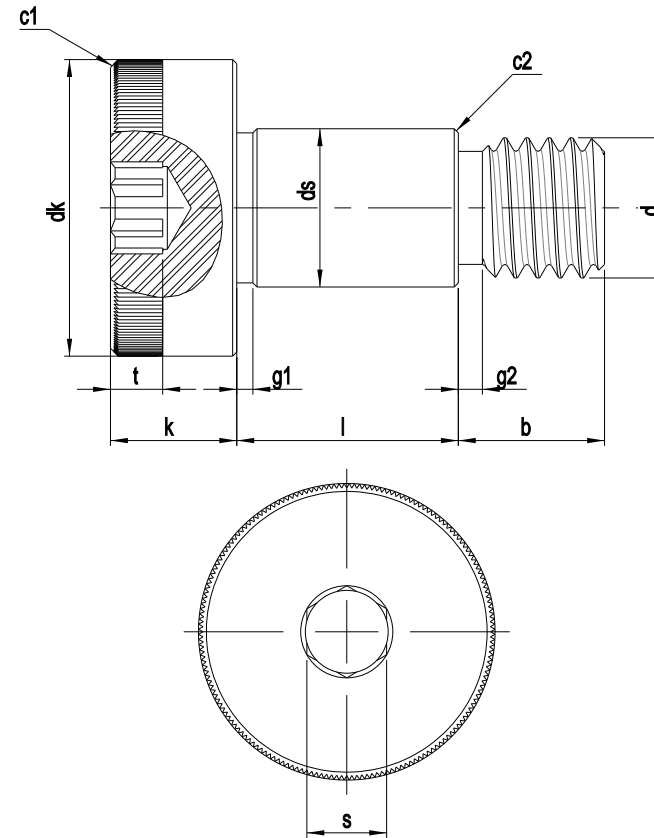



Further Information

| ds (nom) | ds | d | s | dk | k | b |
|----------|-------------|-----|------|-----|-----|-----|
| 3.0 | 2.990-2.960 | M2 | 2.0 | 5.0 | 2.0 | 3.8 |
| 4.0 | 3.990-3.960 | M3 | 2.0 | 6.0 | 3.0 | 4.5 |
| 5.0 | 4.990-4.960 | M4 | 2.5 | 9.0 | 4.0 | 4.5 |
| 6.0 | 5.990-5.960 | M5 | 3.0 | 10 | 4.5 | 9.5 |
| 8.0 | 7.987-7.951 | M6 | 4.0 | 13 | 5.5 | 11 |
| 10 | 9.987-9.951 | M8 | 5.0 | 16 | 7.0 | 13 |
| 12 | 11.984-11.9 | M10 | 6.0 | 18 | 9.0 | 16 |
| | 41 | | | | | |
| 16 | 15.984-15.9 | M12 | 8.0 | 24 | 11 | 18 |
| | 41 | | | | | |
| 20 | 19.980-19.9 | M16 | 10.0 | 30 | 14 | 22 |
| | 28 | | | | | |



| | |
|--|---|
|  <p>PRECISION TECHNOLOGY SUPPLIES Stainless Steel Industrial Fastenings & Precision Turned Parts</p> | <p>Part No. ASS201640KA4</p> |
| <p>www.pts-uk.com +44 (0)1342 410758</p> | <p>20 (M16) X 40 KNURLED HEAD SOCKET SHOULDER SCREW A4 (316L) STAINLESS STEEL</p> |
| <p>Information in this drawing is provided for reference only</p> | |