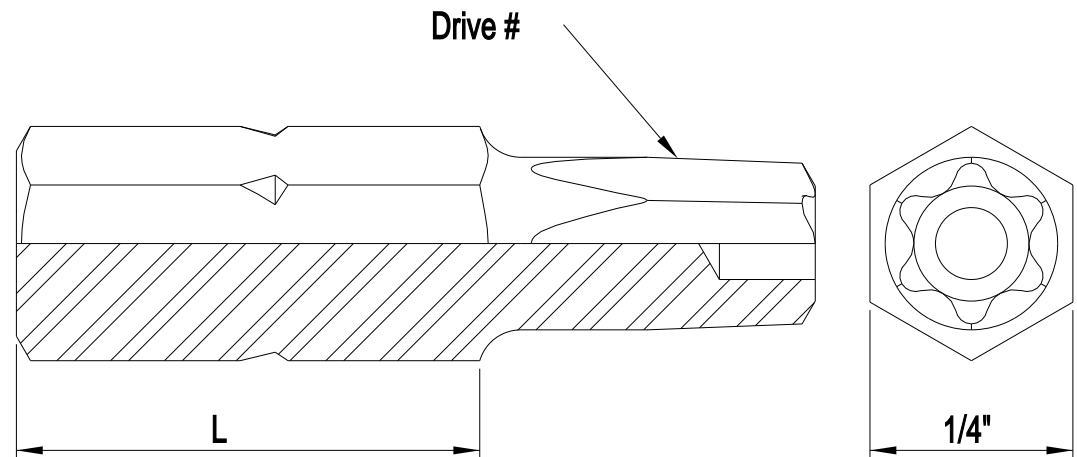



Further Information

Drive	A/F	L
TX8	1/4"	25
TX10	1/4"	25
TX15	1/4"	25
TX20	1/4"	25
TX25	1/4"	25
TX27	1/4"	25
TX30	1/4"	25
TX40	1/4"	25
TX45	1/4"	25



 PRECISION TECHNOLOGY SUPPLIES <small>Stainless Steel Industrial Fastenings & Precision Turned Parts</small>	Part No. TBITTX20RES
www.pts-uk.com +44 (0)1342 410758	TX20 RESISTORX DRIVE BIT 1/4" AF
Information in this drawing is provided for reference only	