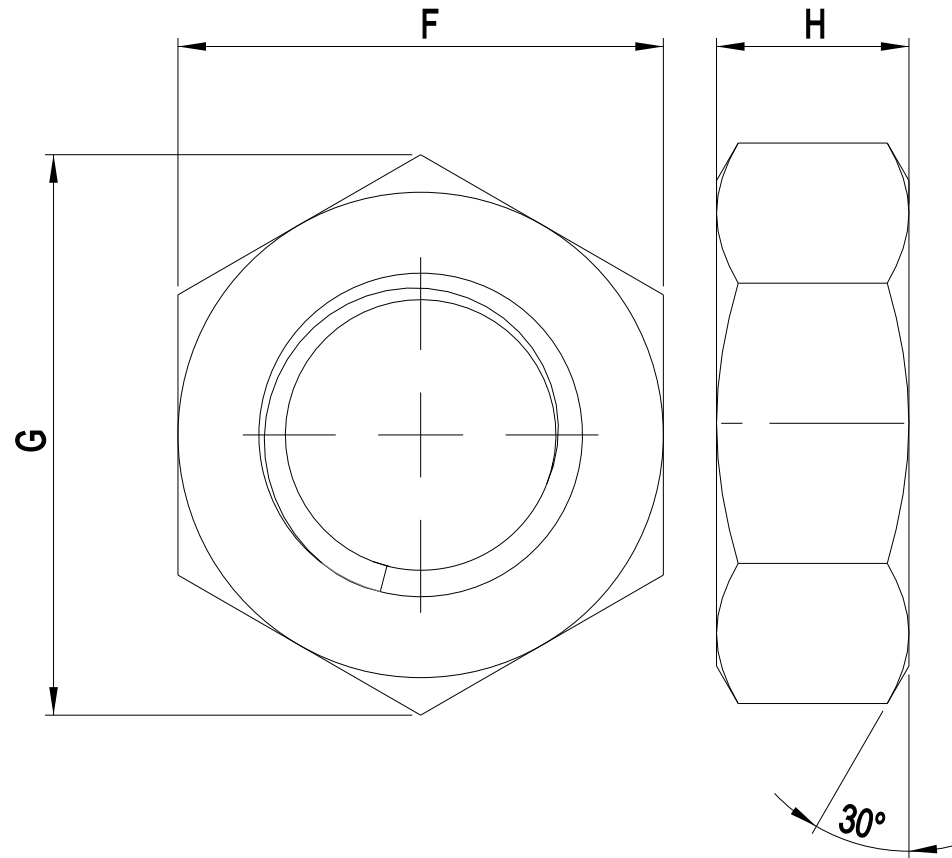



### Further Information

Thread	T.P.I UNC	T.P.I UNF	f (max)	h (max)
1/4	20	28	0.438	0.163
5/16	18	24	0.500	0.195
3/8	16	24	0.562	0.227
7/16	14	20	0.688	0.260
1/2	13	20	0.750	0.323
9/16	12	18	0.875	0.324
5/8	11	18	0.938	0.387
3/4	10	16	1.125	0.446
7/8	9	14	1.312	0.510
1"	8	12	1.500	0.575
1.1/4"	7	12	1.875	0.782
1.1/2"	6	12	2.250	0.911



 <b>PRECISION TECHNOLOGY SUPPLIES</b> <small>Stainless Steel Industrial Fastenings &amp; Precision Turned Parts</small>	<b>Part No. U43991618A4</b>
<a href="http://www.pts-uk.com">www.pts-uk.com</a> +44 (0)1342 410758	<b>9/16-18 UNF HEXAGON LOCK NUT</b> <b>ASME B18.2.2 A4 STAINLESS</b> <b>STEEL</b>
Information in this drawing is provided for reference only	